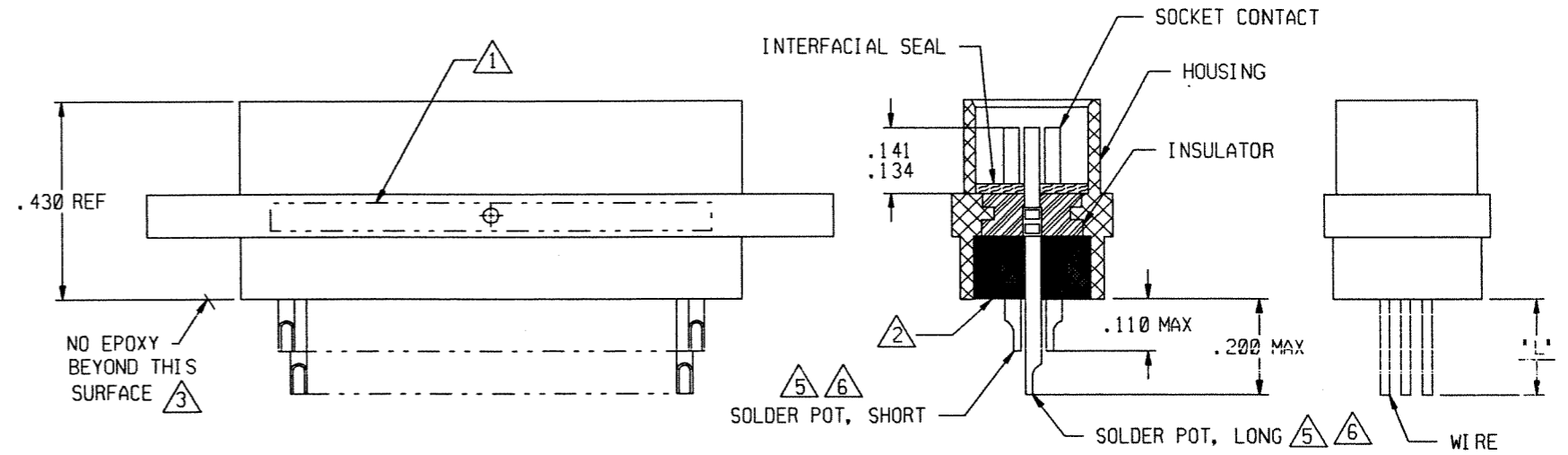
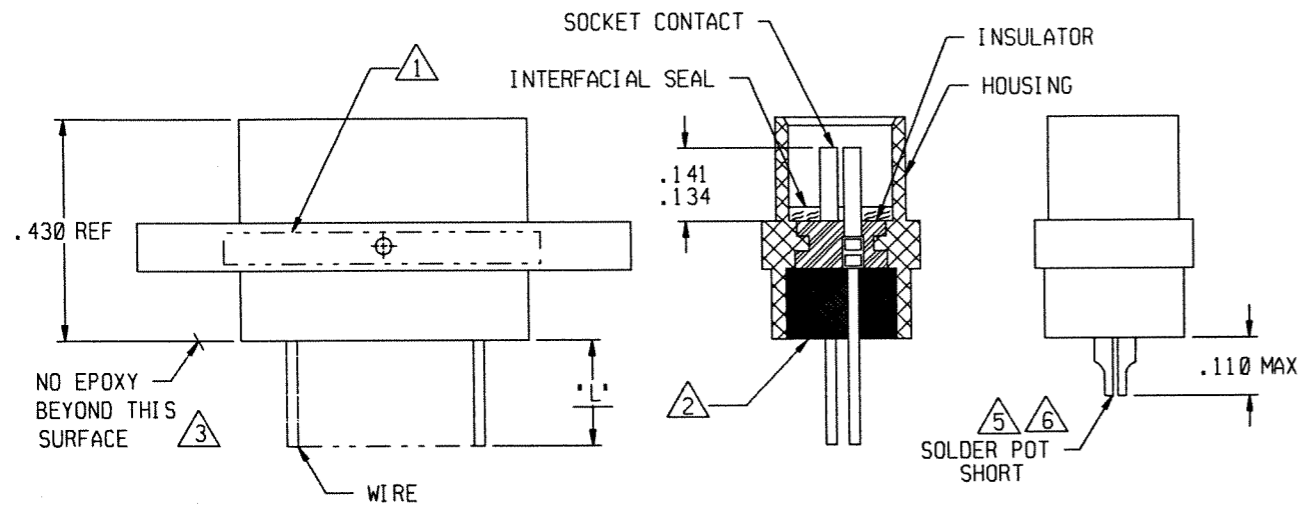
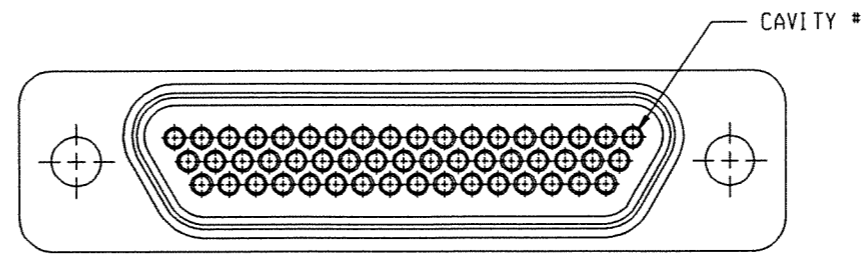
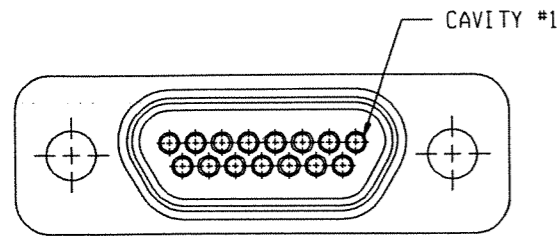


REVISION					
ZONE	LTR	ECN	DESCRIPTION	DATE	APPROVED
	D	38864	UPDATE MKING & EPOXY NOTES	4/21/99	[Signature]



9 THRU 37 CONFIGURATION

(SHOWN WITH WIRE TERMINATIONS FOR REFERENCE ONLY.
SOLDER POT TERMINATIONS ARE THE SAME CONFIGURATION)

51 CONFIGURATION

(SHOWN WITH SOLDER POT TERMINATIONS FOR REFERENCE ONLY.
WIRE TERMINATIONS ARE THE SAME CONFIGURATION)

NOTES: UNLESS OTHERWISE SPECIFIED.

- 1 MARK PER TIS.
- 2 EPOXY AS SHOWN USE 194-8102-6215/6225.
- 3 EPOXY WICKING: UNINSULATED WIRE: .050 MAX
INSULATED WIRE UPTO #25 AWG: .125 MAX
INSULATED WIRE UPTO #24 AWG OR LARGER: .200 MAX
- 4. CRIMP LEADS INTO CONTACTS PER MEP302-05.
- 5 NO SCRATCHES SHOWING BASE METAL PERMITTED ON SOLDER POTS.
- 6 CHAMFER ON SOLDER POTS ARE TO BE PARALLEL WITH SIDES OF CONNECTOR WITHIN 10°.

Tyco Dwg 7-1532141-3
Micro P/N 094-0000-0012

UNLESS OTHERWISE SPECIFIED DIMENSIONS ARE IN INCHES. TOLERANCE ARE:			APPROVALS		MICRODOT CONNECTORS A DIVISION OF UNI-STAR INDUSTRIES INC. 306 PASADENA AVE., SO. PASADENA, CA 91030	METAL SHELL 'D' CONNECTOR RCPT, PER MIL-PRF-83513 SIZE 9 THRU 51	PROD CODE 845 CODE M
FRACTIONS	DECIMALS	ANGLES	SIGNATURE	DATE			
± 1/8	.XX ± .01 .XXX ± .005	± 2°	[Signature]	4/21/99			
MATERIAL:		P.E.		M.E.			
FINISH:		THIS DOCUMENT IS THE PROPERTY OF MICRODOT CONNECTORS, A DIVISION OF UNI-STAR INDUSTRIES INC. USE OF THIS DOCUMENT OR ANY PART THEREOF IS STRICTLY FORBIDDEN WITHOUT THE EXPRESS WRITTEN PERMISSION OF MICRODOT CONNECTORS, A DIVISION OF UNI-STAR INDUSTRIES INC.			SIZE	CODE IDENT NO.	DRAWING NO.
					B	98278	094-0000-0012
					SCALE: NONE		SHEET 1 OF 1